



## UNIVERSAL 4U603D

Product type 4U-603D-10

### Basic information

Age category	2 - 15 years
Minimum area	11 m x 7,6 m
Equipment measurements	7,42 m x 4,56 m x 3,48 m
Free fall height:	1 m
Load capacity:	1404 kg
Max. number of users:	26
Fall zone: EN 1177	Grass surface
Designation:	exterior
Availability of spare parts:	supplied by the
Certificate of Compliance:	ČSN EN 1176 - 1, 2, 3

### Material

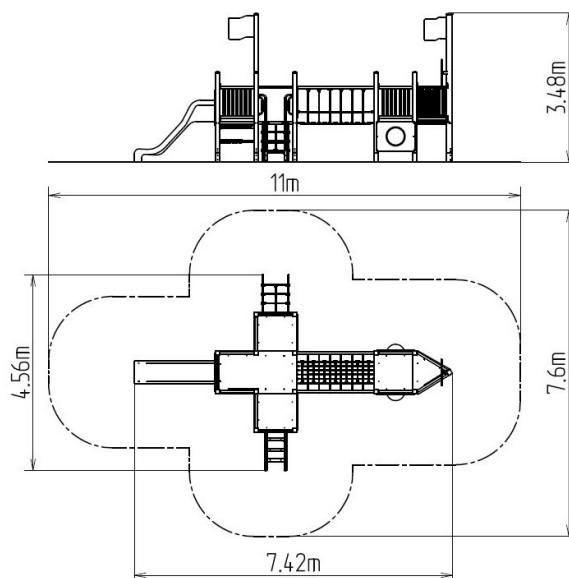
Wooden units - thick glued wooden supports  
 Metal units - structural steel  
 Plastic units - HDPE, polyamide  
 Slide - fibreglass  
 Ropes and nets - polypropylene with a steel internal core  
 Flags - polyester fabric  
 Aperture - plexiglass

### Finish

Impregnation and coating with a triple layer of lacquer  
 Komaxit powder coating  
 Hot-dip galvanizing

### Description

The tower unit support structure is made from thick glued wooden supports. This solution ensures maximum protection against cracking, which is common for products made from solid wood. The wooden supports are impregnated and coated with a triple layer of lacquer, which meets the terms and conditions of the EN71/3 Standard (safe for children's toys). The structures are anchored into the ground in steel plates, which are protected against corrosion by hot-dip galvanizing and fixed in a concrete bed. The anchors are fastened to the play unit with bolts and their structure ensures that they are not in direct contact with the ground. All other metallic elements are also zinc coated and treated with baked paint KOMAXIT according to the RAL colour system. The slide is made from fibreglass. The surfaces of the slide, steps, etc. are made from high quality HDPE plastic (high density coloured polyethylene, which is characterised by high colour stability, UV resistance but mainly safety as it doesn't break and therefore there is no danger of injury to children by sharp fragments). The ropes and nets are made using HERKULES material (16 mm thick ropes made from polypropylene with a steel internal core) and are connected with plastic or aluminium joints. The platforms are made from HPL (High-pressure laminate, which is characterised by high colour stability and water resistance). All fastening material is galvanized or stainless steel.



### Equipment

6x tower, slide, 2x post with a flag, sloping net access, sloping ramp with steps and metal handles, helm made from HDPE, 10x barrier from HDPE, 2x barrier with an aperture, rope bridge, abacus.