

## UNIVERSAL 4U602KW - brown

Product type 4U-602KW-15

### Basic information

Age category	3 - 15 years
Minimum area	11,9 m x 11 m
Equipment measurements	8,72 m x 6,89 m x 3,98 m
Free fall height:	1,5 m
Load capacity:	2484 kg
Max. number of users:	46
Fall zone: EN 1177	Rubber or gravel, 90 m <sup>2</sup>
Designation:	exterior
Availability of spare parts:	supplied by the
Certificate of Compliance:	ČSN EN 1176 - 1, 2, 3

### Material

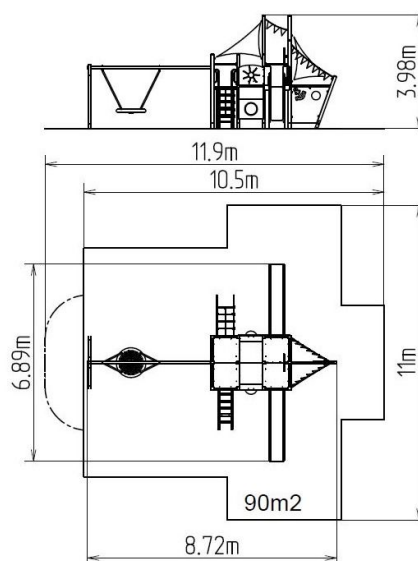
Platform - HPL  
 Metal units - structural steel  
 Plastic units - HDPE, polyamide  
 Slides - fibreglass  
 Ropes and nets - polypropylene with a steel internal core  
 Flags - polyester fabric, Apertures - plexiglass  
 The "Bird's Nest" seat - polypropylene rope with heavy

### Finish

Komaxit powder coating  
 Hot-dip galvanizing

### Description

The support structure of the tower unit is made of structural steel which is protected against corrosion by zinc coating, resulting in a very prolonged service life of the workout elements, and coating with baked paint KOMAXIT according to the RAL colour system. All other metallic elements are also zinc coated and treated with baked paint KOMAXIT according to the RAL colour system.°  
 The slides are made from fibreglass. The surfaces of the slides, steps, etc. are made from high quality HDPE plastic (high density coloured polyethylene, which is characterised by high colour stability, UV resistance but mainly safety as it doesn't break and therefore there is no danger of injury to children by sharp fragments). The ropes and nets are made using HERKULES material (16 mm thick ropes made from polypropylene with a steel internal core) and are connected with plastic or aluminium joints. The platforms and the drawing board are made from HPL (High-pressure laminate, which is characterised by high colour stability and water resistance). The swing is hung on a metal beam using galvanized chains. The "Bird's Nest" seat is made from polypropylene rope with heavy duty fibres. The hanging ropes are made using HERKULES material (16 mm thick ropes made from polypropylene with a steel internal core). All fastening material is galvanized or stainless steel.



### Equipment

6x tower, 2x slide, 2x metal railing set in a metal frame, 2x post with a flag, sloping net access, helm made from HDPE, 4x barrier from HDPE, 2x barrier with an aperture, sloping ramp with steps and metal handles, drawing board with an anchor, chain swing.