

UNIVERSAL 4U130KW - brown

Product type 4U-130KW-15

Basic information

Age category	3 - 15 years
Minimum area	8,5 m x 8,5 m
Equipment measurements	5,48 m x 4,93 m x 3,8 m
Free fall height:	1,5 m
Load capacity:	486 kg
Max. number of users:	9
Fall zone: EN 1177	Rubber or gravel, 55 m ²
Designation:	exterior
Availability of spare parts:	supplied by the
Certificate of Compliance:	ČSN EN 1176 - 1, 2, 3

Material

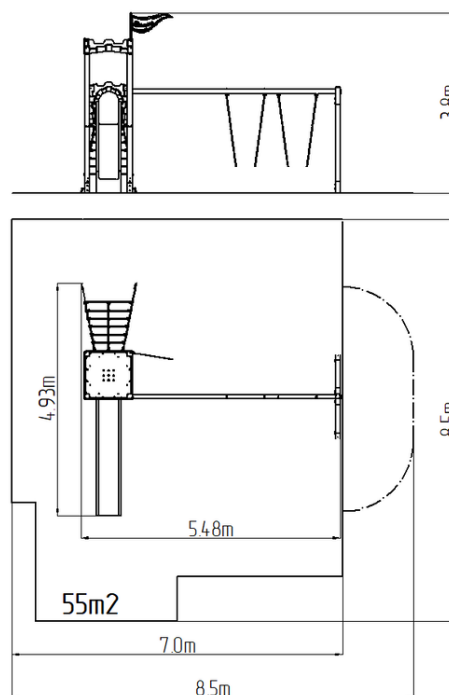
Metal units - structural steel
 Plastic units - HDPE, polyamide
 Slide - fibreglass
 Ropes and nets - polypropylene with a steel internal core
 Platforms - HPL

Finish

Komaxit powder coating
 Hot-dip galvanizing

Description

The support structure of the tower unit is made of structural steel which is protected against corrosion by zinc coating, resulting in a very prolonged service life of the workout elements, and coating with baked paint KOMAXIT according to the RAL colour system. All other metallic elements are also zinc coated and treated with baked paint KOMAXIT according to the RAL colour system. The slide is made from fibreglass. The surfaces of the slide, barriers, flag, etc. are made from high quality HDPE plastic (high density coloured polyethylene, which is characterised by high colour stability, UV resistance but mainly safety as it doesn't break and therefore there is no danger of injury to children by sharp fragments). The climbing net is made using HERKULES material (16 mm thick ropes made from polypropylene with a steel internal core) and are connected with plastic or aluminium joints. The platforms are made from HPL (High-pressure laminate, which is characterised by high colour stability, UV resistance and water resistance). All fastening material is galvanized or stainless steel.



Equipment

Tower, slide, 2x barrier from HDPE, sloping net access, vertical climbing wall on the tower with steps, flag, battlements from HDPE, metal beam.