

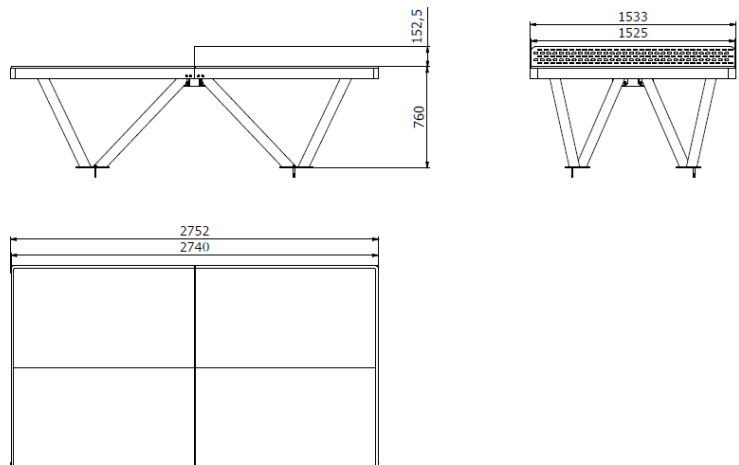


## Outdoor table tennis table BS-101BS

Product type BS-101BS

### Basic information

Age category	Not specified
Minimum area	5,75 m x 4,53 m
Equipment measurements	2,75 m x 1,53 m x 0,76 m
Free fall height:	m
Load capacity:	Not specified
Max. number of users:	4
Fall zone: EN 1177	Not specified
Designation:	exterior
Availability of spare parts:	supplied by the
Certificate of Compliance:	EN 14468-1



### Material

Frame and legs - structural steel  
Board - HPL

### Finish

Komaxit powder coating  
Hot-dip galvanizing

### Description

Table tennis is the best solution for playing table tennis outdoors. It is characterized by high resistance to frost, sun, rain and hail. Resistant to mechanical damage. It is also easy to keep clean. It does not require any maintenance procedures. It will work perfectly • in school playgrounds, • in parks, • in outdoor gyms, • in housing estates, • in recreation centers, • in hotels or guesthouses, • in the garden  
Suitable for wheelchair users.

### Equipment

Frame, legs, board, net.