



Swing AG-104K - metal

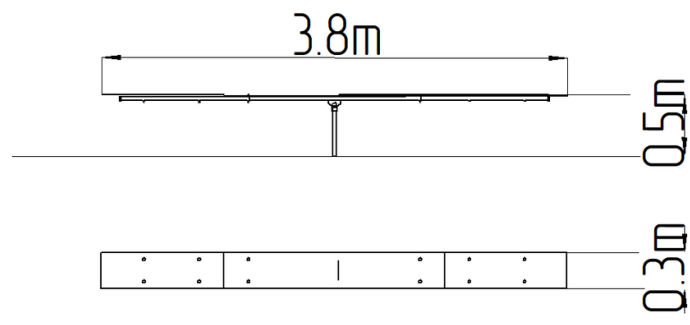
Product type AG-104K

Basic information

| | |
|------------------------------|-----------------------|
| Age category | 0 - 0 years |
| Minimum area | m x m |
| Equipment measurements | 3,8 m x 0,3 m x 0,5 m |
| Free fall height: | m |
| Load capacity: | Not specified |
| Max. number of users: | Not specified |
| Fall zone: EN 1177 | null |
| Designation: | exterior |
| Availability of spare parts: | supplied by the |
| Certificate of Compliance: | |

Material

Metal units - structural steel
Plastic units - Foamlite



Finish

Komaxit powder coating
Hot-dip galvanizing

Description

The support structure is made of structural steel which is protected against corrosion by zinc coating, resulting in a very prolonged service life of the workout elements, and coating with baked paint KOMAXIT according to the RAL colour system. These structures are embedded in a concrete base. All other metallic elements are also zinc coated and treated with baked paint KOMAXIT according to the RAL colour system.

All step boards are made of high quality Foamlite (high-pressure, which is characterised by high colour stability, UV resistance and mainly safety because it is rigid and there is no risk of injury caused by sharp broken fragments). All connecting material is zinc or stainless steel coated.