



## Chain swing RH6112KB - Blue (f.h. 1,5 m)

Product type RH-6112KB-15

### Basic information

Age category	2 - 15 years
Minimum area	4,9 m x 7,5 m
Equipment measurements	1,9 m x 1,39 m x 2,31 m
Free fall height:	1,5 m
Load capacity:	54 kg
Max. number of users:	1
Fall zone: EN 1177	Rubber or gravel, 15 m <sup>2</sup>
Designation:	exterior
Availability of spare parts:	supplied by the
Certificate of Compliance:	ČSN EN 1176 - 1, 2

### Material

Metal units - structural steel  
Seat - rubber with an aluminum insert

### Finish

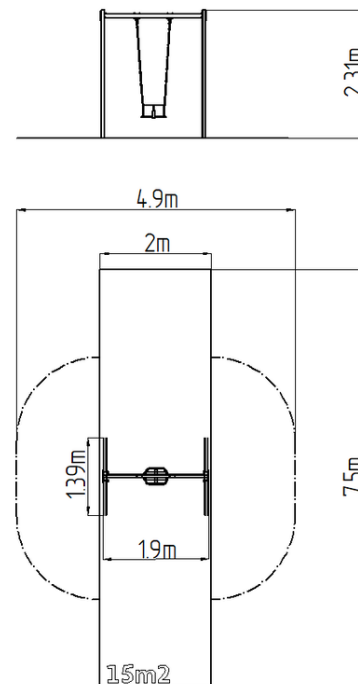
Komaxit powder coating  
Hot-dip galvanizing

### Description

The support structure of the swing is made from structural steel, which is zinc coated and KOMAXIT powder coated according to the RAL colour chart and is fixed in a concrete bed. The Normal seat is made of aluminum, covered with a soft and comfortable rubber.

The Baby seat baby is made of rubber and is reinforced with an aluminum insert. The chains are stainless steel, resulting in a very prolonged service life of the product.

All fastening material is galvanized or stainless steel.



### Equipment

1x Seat Baby. We offer three color variants of the support structure - red, blue and brown.