

Triple chain swing RH6312KR - Red (f.h. 1,5 m)

Product type RH-6312KR-15

Basic information

Age category	2 - 15 years
Minimum area	7,9 m x 7,5 m
Equipment measurements	4,9 m x 1,39 m x 2,31 m
Free fall height:	1,5 m
Load capacity:	162 kg
Max. number of users:	3
Fall zone: EN 1177	Rubber or gravel, 37,5 m ²
Designation:	exterior
Availability of spare parts:	supplied by the
Certificate of Compliance:	ČSN EN 1176 - 1, 2

Material

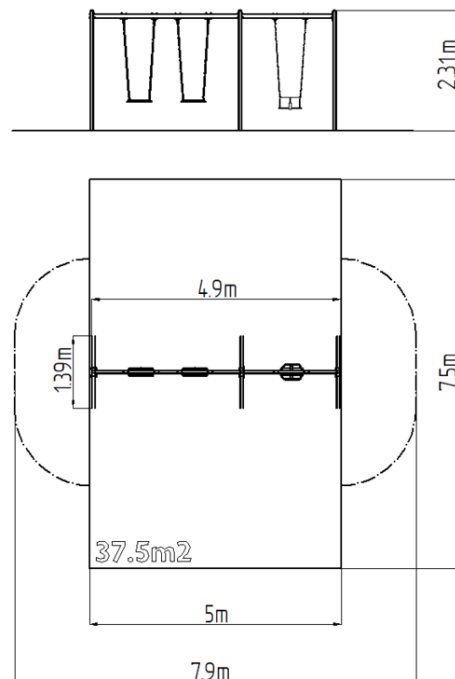
Metal units - structural steel
 Seat Normal - aluminum, covered with a rubber
 Seat Baby - rubber with an aluminum insert

Finish

Komaxit powder coating
 Hot-dip galvanizing

Description

The support structure of the swing is made from structural steel, which is zinc coated and KOMAXIT powder coated according to the RAL colour chart and is fixed in a concrete bed. The Baby seat is made of rubber and is reinforced with an aluminum insert. The Normal seat is made of aluminum, covered with a soft and comfortable rubber. The chains are stainless steel, resulting in a very prolonged service life of the product. All fastening material is galvanized or stainless steel.



Equipment

1x Seat Baby, 2x Seat Normal. We offer three color variants of the support structure - red, blue and brown.