



Game set castle UNH1052KW - brown

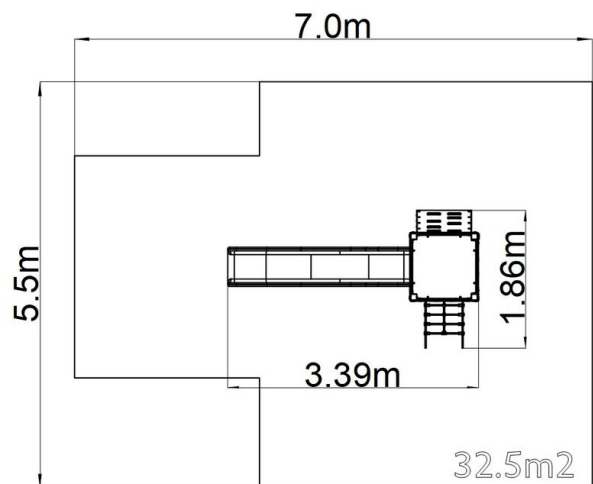
Product type UNH-1052KW-15

Basic information

| | |
|----------------------------|---|
| Age category | 3 - 15 years |
| Minimum area | 7 m x 5,5 m |
| Equipment measurements | 3,39 m x 1,86 m x 2,35 m |
| Free fall height: | 1,5 m |
| Max. number of users: | 7 |
| Fall zone: EN 1177 | Rubber or gravel, 32,5 m ² |
| Certificate of Compliance: | ČSN EN 1176-1 ed.2 +A1:2024 ČSN EN 1176-3 ed.2:2018 ČSN EN 1176-11:2015 |

Material

Platform - HPL
 Metal units - structural steel
 Climbing holds - polyester
 Plastic units - HDPE, polyamide
 Slide - fibreglass
 Ropes and nets - polypropylene with a steel internal core



Finish

Duplex powder coated with coat curing
 Hot-dip galvanizing

Description

The supporting structure is made of galvanized structural steel and then powder coated, and all other metal parts are made of black structural steel, sandblasted, duplex sprayed with powder coated.

All other metallic elements are also zinc coated or duplex powder coated with coat curing according to RAL to prevent corrosion.

The slide is made from fibreglass. The surfaces of the slides, steps, etc. are made from high quality HDPE plastic (high density coloured polyethylene, which is characterised by high colour stability, UV resistance but mainly safety as it doesn't break and therefore there is no danger of injury to children by sharp fragments). The climbing net and the rope are made using HERKULES material (16 mm thick ropes made from polypropylene with a steel internal core) and are connected with plastic or aluminium joints. The platform, sloping climbing wall and vertical climbing wall are made from HPL (High-pressure laminate, which is characterised by high colour stability and water resistance). The climbing holds are made from the polyester, which ensures long life, colour preservation as well as skin friendly surface. All fastening material is galvanized or stainless steel.

Equipment

Tower, slide, vertical climbing wall, sloping climbing wall, Zinnenbattlements, sloping net access.