



Game set castle UNH1060KS - silver

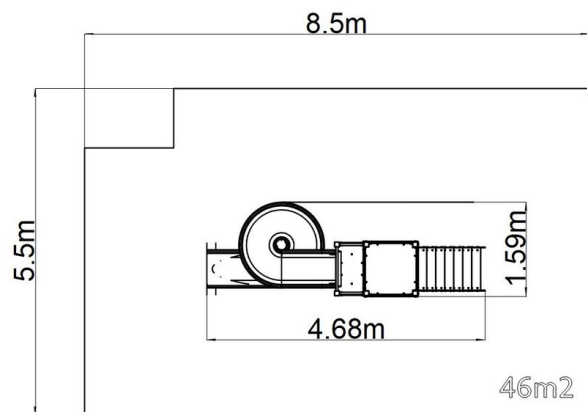
Product type UNH-1060KS-20

Basic information

Age category	3 - 15 years
Minimum area	5,5 m x 8,5 m
Equipment measurements	1,59 m x 4,68 m x 3,66 m
Free fall height:	2,0 m
Max. number of users:	8
Fall zone: EN 1177	Rubber or gravel, 46 m ²
Certificate of Compliance:	ČSN EN 1176-1 ed.2 +A1:2024 ČSN EN 1176-3 ed.2:2018

Material

Platform - HPL
Metal units - structural steel
Plastic units - HDPE
Slide - fibreglass



Finish

Duplex powder coated with coat curing
Hot-dip galvanizing

Description

The supporting structure is made of galvanized structural steel and then powder coated, and all other metal parts are made of black structural steel, sandblasted, duplex sprayed with powder coated.

All other metallic elements are also zinc coated or duplex powder coated with coat curing according to RAL to prevent corrosion.

The slide is made from fibreglass. The surfaces of the slides, steps, etc. are made from high quality HDPE plastic (high density coloured polyethylene, which is characterised by high colour stability, UV resistance but mainly safety as it doesn't break and therefore there is no danger of injury to children by sharp fragments). The platform is made from HPL (High-pressure laminate, which is characterised by high colour stability and water resistance). All fastening material is galvanized or stainless steel.

Equipment

Tower, tube slide, Zinnenbattlements, 2x barrier, sloping ramp with plastic side.