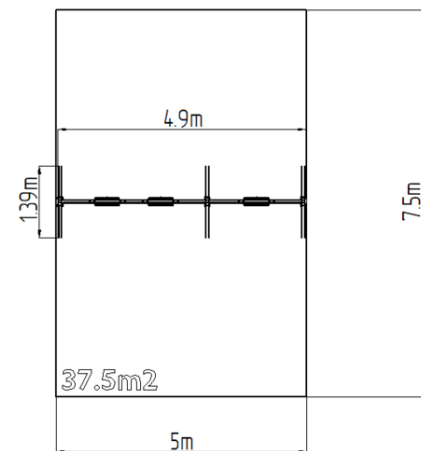
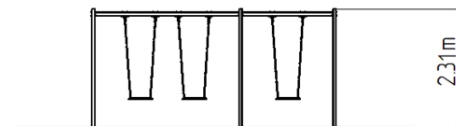


Triple chain swing - lime (f.h. 1,5 m)

Product type REH-6311KE-15

Basic information

Age category	2 - 15 years
Minimum area	5 m x 7,5 m
Equipment measurements	4,9 m x 1,39 m x 2,31 m
Free fall height:	1,5 m
Max. number of users:	3
Fall zone: EN 1177	Rubber or gravel, 37,5 m ²
Certificate of Compliance:	ČSN EN 1176-1 ed.2 +A1:2024 ČSN EN 1176-2 ed.2:2018



Material

Metal units - structural steel
Seat - aluminum, covered with a rubber

Finish

Duplex powder coated with coat curing
Hot-dip galvanizing

Description

The supporting structure is made of galvanized structural steel and then powder coated, and all other metal parts are made of black structural steel, sandblasted, duplex sprayed with powder coated. The Normal seat is made of aluminum, covered with a soft and comfortable rubber. The chains are stainless steel, resulting in a very prolonged service life of the product. All fastening material is galvanized or stainless steel.

Equipment

3x Seat Normal. we offer four color variants of the support structure - red, blue, brown and lime.