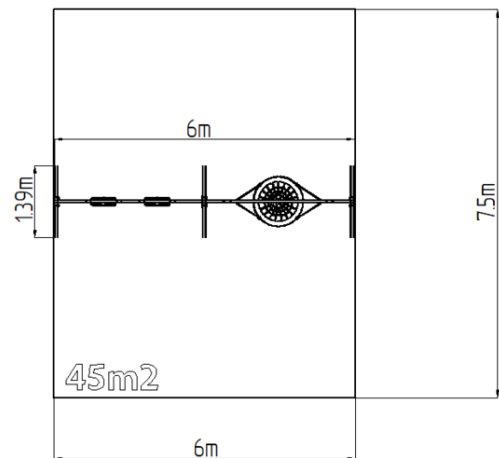
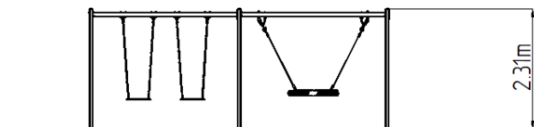


Triple chain swing - lime (f.h. 1,5 m)

Product type REH-6321KE-15

Basic information

Age category	2 - 15 years
Minimum area	6 m x 7,5 m
Equipment measurements	6 m x 1,39 m x 2,31 m
Free fall height:	1,5 m
Max. number of users:	7
Fall zone: EN 1177	Rubber or gravel, 45 m ²
Certificate of Compliance:	ČSN EN 1176-1 ed.2 +A1:2024 ČSN EN 1176-2 ed.2:2018



Material

Metal units - structural steel
 The "Bird's Nest" seat - polypropylene rope with heavy duty fibres
 The hanging ropes - polypropylene with a steel internal core
 Seat Normal - aluminum, covered with a rubber

Finish

Duplex powder coated with coat curing
 Hot-dip galvanizing

Description

The support structure of the swing is made from structural steel, which is zinc coated or duplex powder coated with coat curing according to RAL to prevent corrosion and is fixed in a concrete bed.
 The swing is hung on a metal girder using galvanized chains. The "Bird's Nest" seat is made from polypropylene rope with heavy duty fibres. The hanging ropes are made using HERKULES material (16 mm thick ropes made from polypropylene with a steel internal core). The Normal seat is made of aluminum, covered with a soft and comfortable rubber. All fastening material is galvanized or stainless steel.

Equipment

1x The "Bird's Nest", 2x Normal seat.
 we offer four color variants of the support structure - red, blue, brown and lime.