

Courage trail LP201KW - brown

Product type LP-201KW-10

Basic information

Age category	2 - 10 years
Minimum area	6,3 m x 6,5 m
Equipment measurements	3,3 m x 3,47 m x 1,3 m
Free fall height:	0,9 m
Load capacity:	540 kg
Max. number of users:	10
Fall zone: EN 1177	Grass surface
Designation:	exterior
Availability of spare parts:	supplied by the
Certificate of Compliance:	ČSN EN 1176 - 1, 11

Material

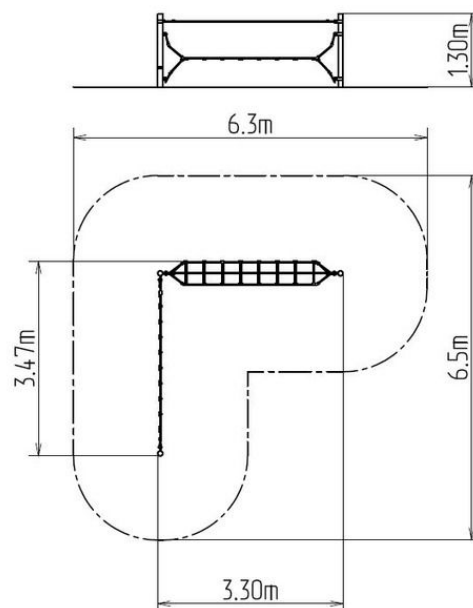
Metal units - structural steel
Ropes and nets - polypropylene with a steel internal core
Plastic units - polyamide

Finish

Duplex powder coated with coat curing
Hot-dip galvanizing

Description

The support structures of the rope unit are made from structural steel, they are zinc coated or duplex powder coated with coat curing according to RAL to prevent corrosion and fixed in a concrete bed. The support structures can be hot-dip galvanized should the client require. The ropes are made using HERKULES material (16 mm thick ropes made from polypropylene with a steel internal core) and are connected with plastic joints. All fastening material is galvanized or stainless steel.



Equipment

We offer three color variants of the support structure - red, blue and brown.