



## UNIVERSAL 6U119KS - silver

Product type 6U-119KS-15

### Basic information

Age category	3 - 15 years
Minimum area	8,5 m x 10,5 m
Equipment measurements	5,55 m x 5,85 m x 3,56 m
Free fall height:	1,5 m
Load capacity:	540 kg
Max. number of users:	10
Fall zone: EN 1177	Rubber or gravel, 67 m <sup>2</sup>
Designation:	exterior
Availability of spare parts:	supplied by the
Certificate of Compliance:	ČSN EN 1176 - 1, 2, 3

### Material

Platform - HPL
Metal units - structural steel
Plastic units - HDPE
Slide - fibreglass
Climbing holds - mix of silica sand and epoxy resin

### Finish

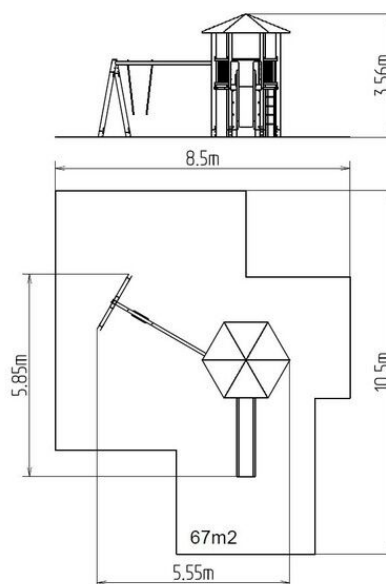
Duplex powder coated with coat curing  
Hot-dip galvanizing

### Description

The support structure of the tower unit is made of structural steel which is protected against corrosion by zinc coating, resulting in a very prolonged service life, or duplex powder coated with coat curing according to RAL to prevent corrosion. All other metallic elements are also zinc coated or duplex powder coated with coat curing according to RAL to prevent corrosion.

The slide is made from fibreglass. The surfaces of the slides, steps, etc. are made from high quality HDPE plastic (high density coloured polyethylene, which is characterised by high colour stability, UV resistance but mainly safety as it doesn't break and therefore there is no danger of injury to children by sharp fragments).

The platform and the vertical climbing wall are made from HPL (High-pressure laminate, which is characterised by high colour stability and water resistance). The climbing holds are made from the mix of silica sand and epoxy resin, which ensures long life, colour preservation as well as skin friendly surface. All fastening material is galvanized or stainless steel.



### Equipment

Tower, slide, roof, vertical climbing wall, ladder, metal beam, 3x barrier from HDPE.