



UNIVERSAL 4U601KW - brown

Product type 4U-601KW-15

Basic information

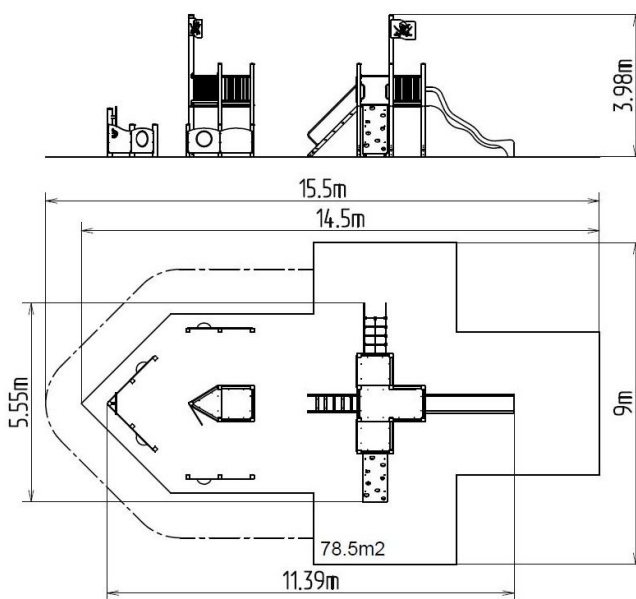
| | |
|------------------------------|---------------------------------------|
| Age category | 3 - 15 years |
| Minimum area | 15,5 m x 9 m |
| Equipment measurements | 11,39 m x 5,55 m x 3,98 m |
| Free fall height: | 1,5 m |
| Load capacity: | 1404 kg |
| Max. number of users: | 26 |
| Fall zone: EN 1177 | Rubber or gravel, 78,5 m ² |
| Designation: | exterior |
| Availability of spare parts: | supplied by the |
| Certificate of Compliance: | ČSN EN 1176 - 1, 2, 3 |

Material

| |
|---|
| Platform - HPL |
| Metal units - structural steel |
| Plastic units - HDPE, polyamide |
| Slide - fibreglass |
| Ropes and nets - polypropylene with a steel internal core |
| Flags - polyester fabric, Apertures - plexiglass |
| Climbing holds - mix of silica sand and epoxy resin |

Finish

| |
|---------------------------------------|
| Duplex powder coated with coat curing |
| Hot-dip galvanizing |



Description

The support structure of the tower unit is made of structural steel which is protected against corrosion by zinc coating, resulting in a very prolonged service life of the workout elements, and coating with baked paint KOMAXIT according to the RAL colour system. All other metallic elements are also zinc coated and treated with baked paint KOMAXIT according to the RAL colour system. The slide is made from fibreglass. The surfaces of the slide, steps, etc. are made from high quality HDPE plastic (high density coloured polyethylene, which is characterised by high colour stability, UV resistance but mainly safety as it doesn't break and therefore there is no danger of injury to children by sharp fragments). The ropes and nets are made using HERKULES material (16 mm thick ropes made from polypropylene with a steel internal core) and are connected with plastic or aluminium joints. The platforms and the sloping climbing wall are made from HPL (High-pressure laminate, which is characterised by high colour stability and water resistance). The climbing holds are made from the mix of silica sand and epoxy resin, which ensures long life, colour preservation as well as skin friendly surface. All fastening material is galvanized or stainless steel.

Equipment

6x tower, slide, 2x post with a flag, sloping net access, sloping climbing wall, helm made from HDPE, 10x barrier from HDPE, 2x barrier with anchor, 2x drawing board, 4x barrier with an aperture, ladder, sloping ramp with steps and metal handles.