



## UNIVERSAL 4U603KS - silver

Product type 4U-603KS-10

### Basic information

Age category	2 - 15 years
Minimum area	11 m x 7,6 m
Equipment measurements	7,42 m x 4,56 m x 3,48 m
Free fall height:	1 m
Load capacity:	1404 kg
Max. number of users:	26
Fall zone: EN 1177	Grass surface
Designation:	exterior
Availability of spare parts:	supplied by the
Certificate of Compliance:	ČSN EN 1176 - 1, 2, 3

### Material

Platform - HPL  
 Metal units - structural steel  
 Plastic units - HDPE, polyamide  
 Slide - fibreglass  
 Ropes and nets - polypropylene with a steel internal core  
 Flags - polyester fabric  
 Aperture - plexiglass

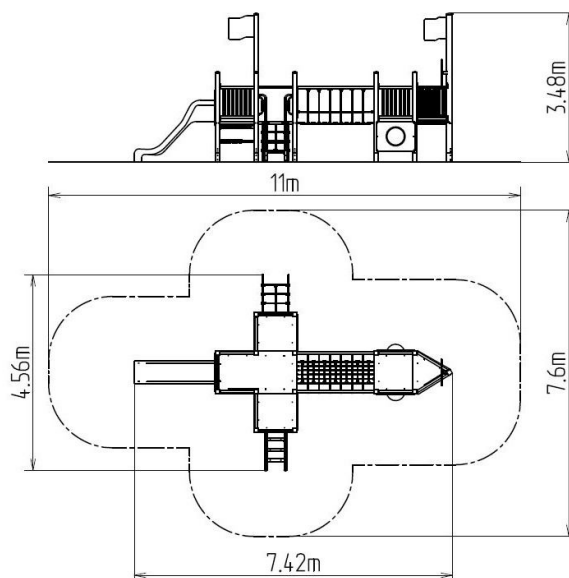
### Finish

Duplex powder coated with coat curing  
 Hot-dip galvanizing

### Description

The support structure of the tower unit is made of structural steel which is protected against corrosion by zinc coating, resulting in a very prolonged service life or duplex powder coated with coat curing according to RAL to prevent corrosion. All other metallic elements are also zinc coated or duplex powder coated with coat curing according to RAL to prevent corrosion.

The slide is made from triple-layered fibreglass. The surfaces of the slide, steps, etc. are made from high quality HDPE plastic (high density coloured polyethylene, which is characterised by high colour stability, UV resistance but mainly safety as it doesn't break and therefore there is no danger of injury to children by sharp fragments). The ropes and nets are made using HERKULES material (16 mm thick ropes made from polypropylene with a steel internal core) and are connected with plastic or aluminium joints. The platforms are made from HPL (High-pressure laminate, which is characterised by high colour stability and water resistance). All fastening material is galvanized or stainless steel.



### Equipment

6x tower, slide, 2x post with a flag, sloping net access, sloping ramp with steps and metal handles, helm made from HDPE, 10x barrier from HDPE, 2x barrier with an aperture, rope bridge, abacus.