



Chain swing with a slide RH6151KW - Brown (f.h. 1,5 m)

Product type RH-6151KW-15

Basic information

Age category	2 - 15 years
Minimum area	7,3 m x 8,5 m
Equipment measurements	4,22 m x 3,77 m x 2,32 m
Free fall height:	1,5 m
Load capacity:	270 kg
Max. number of users:	5
Fall zone: EN 1177	Rubber or gravel, 45 m ²
Designation:	exterior
Availability of spare parts:	supplied by the
Certificate of Compliance:	ČSN EN 1176 - 1, 2, 3

Material

Metal units - structural steel
 Platform - HPL
 Plastic units - HDPE
 Slide - fibreglass
 Seat Normal - aluminum, covered with a rubber

Finish

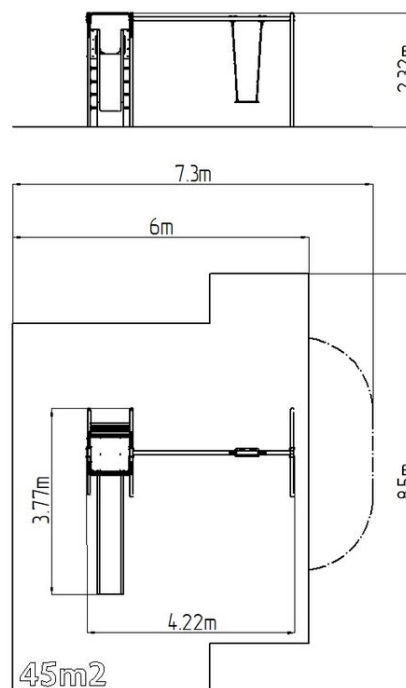
Duplex powder coated with coat curing
 Hot-dip galvanizing

Description

The support structure of the swing is made from structural steel, which is zinc coated and KOMAXIT powder coated according to the RAL colour chart and is fixed in a concrete bed. The swing is hung on a metal beam using galvanized chains.

The slide is made from fibreglass. The surface of the slide is made from high quality HDPE plastic (high density coloured polyethylene, which is characterised by high colour stability, UV resistance but mainly safety as it doesn't break and therefore there is no danger of injury to children by sharp fragments).

The swing is hung on a metal girder using galvanized chains. The platform is made from HPL (High-pressure laminate, which is characterised by high colour stability and water resistance). The Normal seat is made of aluminum, covered with a soft and comfortable rubber. All fastening material is galvanized or stainless steel.



Equipment

We offer three color variants of the support structure - red, blue and brown.