



Bench MILA for children LA303D-W

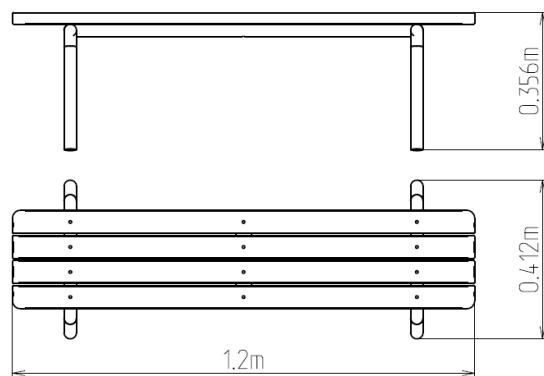
Product type LA-303D-10-W

Basic information

Age category	from 0 years
Minimum area	m x m
Equipment measurements	1,2 m x 0,41 m x 0,36 m
Free fall height:	m
Load capacity:	Not specified
Max. number of users:	Not specified
Fall zone: EN 1177	Not specified
Designation:	exterior
Availability of spare parts:	supplied by the
Certificate of Compliance:	ČSN EN 1176 - 1

Material

Metal units - structural steel
Wooden units - spruce wood



Finish

Impregnation and coating with a triple layer of lacquer
Hot-dip galvanizing

Description

The bench is made of spruce wood. The surface treatment of this wood consists of impregnation and three-layer application of the top glazing varnish, meeting the conditions of EN 71/3 (safe for children's toys).

The construction of the table is made of structural steel (round profile 32 x 2 mm), which is protected against corrosion by hot-dip galvanizing, which achieves a very significant prolongation of table life and baked paint KOMAXIT according to the RAL shade. All fastening material is galvanized or stainless steel.