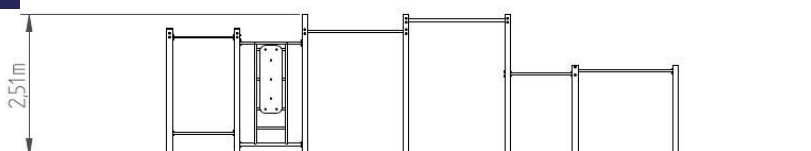


## Street workout set WS0250D-Q - orange (Coastal region)

Product type WS-0250D-15-Q

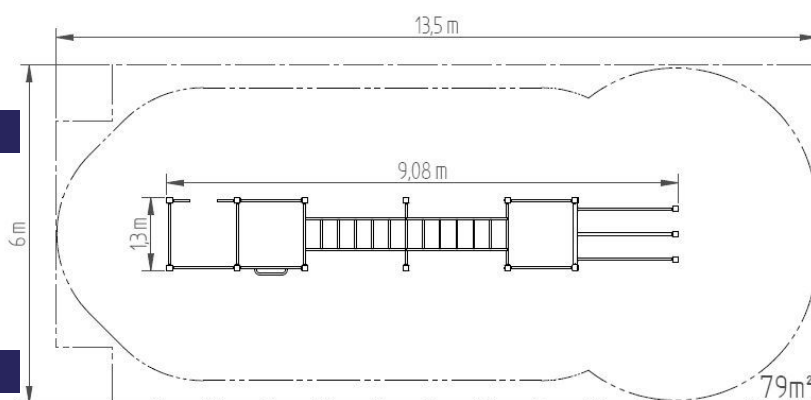
### Basic information

Age category	Not specified
Minimum area	13,5 m x 6 m
Equipment measurements	9,13 m x 1,35 m x 2,51 m
Free fall height:	1,5 m
Load capacity:	858 kg
Max. number of users:	11
Fall zone: EN 1177	Grass surface
Designation:	exterior
Availability of spare parts:	supplied by the
Certificate of Compliance:	ČSN EN 16630



### Material

Metal units - structural steel  
Plastic parts - HDPE



### Finish

Komaxit powder coating  
Hot-dip galvanizing

### Description

The support structure of the workout set is made of structural steel (metal profile 100 x 100 x 3 mm) which is protected against corrosion by zinc coating, resulting in a very prolonged service life of the workout elements, and coating with baked paint KOMAXIT according to the RAL colour system. These structures are anchored to concrete footings with zinc anchors. All other metallic elements, such as handles, parallel bars etc., are also zinc coated and treated with baked paint KOMAXIT according to the RAL colour system or, if required by the customer, the elements can be made in stainless steel.

All bench boards and steps are made of high quality HDPE (high-pressure, full-coloured polyethylene, which is characterised by high colour stability, UV resistance and mainly safety because it is rigid and there is no risk of injury caused by sharp broken fragments). All fastening material is stainless steel.

### Equipment

Color variants: blue-black, red-black, yellow-black, green-black, grey-black, orange-black.