



## UNIVERSAL 4U252KW-B - brown

Product type 4U-252KW-10-B

### Basic information

Age category	1 - 10 years
Minimum area	8,7 m x 7 m
Equipment measurements	5,7 m x 2,45 m x 2,41 m
Free fall height:	0.6 m
Load capacity:	480 kg
Max. number of users:	10
Fall zone: EN 1177	Grass surface
Designation:	exterior
Availability of spare parts:	supplied by the
Certificate of Compliance:	ČSN EN 1176 - 1, 3

### Material

Metal parts - structural steel  
 Plastic parts - HDPE, polyamide  
 Slide - stainless steel  
 Ropes and nets - polypropylene with a steel internal core  
 Platforms - HPL  
 Apertures - Plexiglass

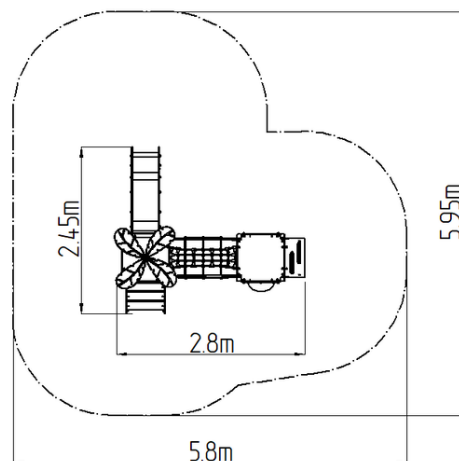
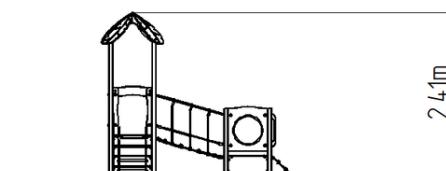
### Finish

Duplex powder coated with coat curing  
 Hot-dip galvanizing

### Description

The support structure of the tower unit is made of structural steel which is protected against corrosion by zinc coating, resulting in a very prolonged service life or duplex powder coated with coat curing according to RAL to prevent corrosion. All other metallic elements are also zinc coated or duplex powder coated with coat curing according to RAL to prevent corrosion.

The slide is made from stainless steel. The surfaces of the slides, barriers, etc. are made from high quality HDPE plastic (high density coloured polyethylene, which is characterised by high colour stability, UV resistance but mainly safety as it doesn't break and therefore there is no danger of injury to children by sharp fragments). The rope bridge is made using HERKULES material (16 mm thick ropes made from polypropylene with a steel internal core) and are connected with plastic or aluminium joints. The platform and the ramp are made from HPL (High-pressure laminate, which is characterised by high colour stability, UV resistance and water resistance). All fastening material is galvanized or stainless steel.



### Equipment

2x Tower, slide, roof in the shape of a leaf, sloping ramp with steps and HDPE handles, sloping ramp with HDPE steps, 2x barrier, rope bridge, barrier with an aperture.